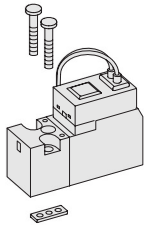


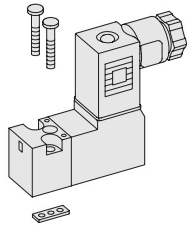
# YSV20

Direct Actuated  
15mm Micro Solenoid Valves

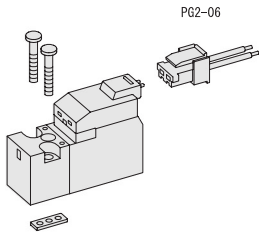
- 3/2- Direct Operation Type
- Manifold Mounting Type
- Orifice  $\varnothing 1.1\text{mm}$



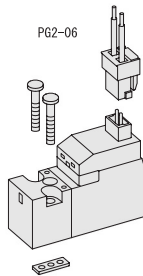
YSV20-DP-SD-\*\*\*  
M 1 2 3



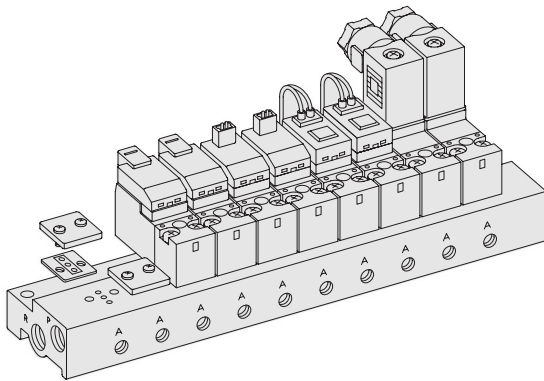
YSV20-DP-SC-CN1-\*\*\*  
M 1 2 3



YSV20-DP-SM-\*\*\*  
M 1 2 3



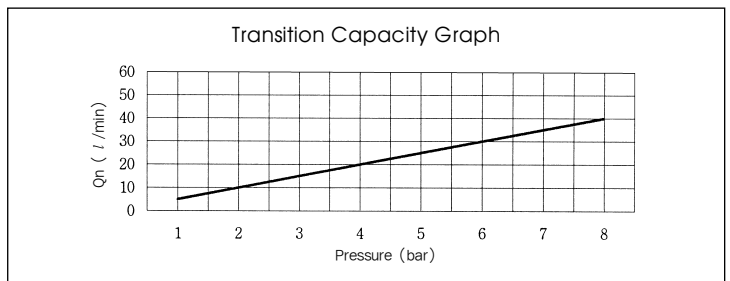
YSV20-DP-SL-\*\*\*  
M 1 2 3



\*\* : Voltage Selection

## SPECIFICATION

ITEM	SERIES	FUNCTION
	YSV20	3/2-N.C
Fluids	Compressed Air & Inert Gases	
Pressure(bar)	0~8.0	
Orifice(mm)	P = $\varnothing 1.1$ , R = $\varnothing 1.5$	
Ambient & Fluid Temp.	5~60°C (41~140°F)	
Response Time(5bar)	20ms or Less	
Max. Working Frequency	10c/sec	
Lubrication	Not Required(Use ISO VG32 #)	
Manual Override	Push Button	
Coil Insulation Class	F-Class or Equivalent	
Permissible Voltage Variation	$\pm 10\%$ of Rated Voltage	
Off Min. Residual Voltage	AC:20% or Less / DC:10% or Less	
Power Consumption	AC:3.5VA(60Hz) / DC:2.5W	



- The Material of Parts
- Pilot Parts : Glass Filled Nylon
  - Spring : Stainless
  - Seals : NBR
  - Armature : Stainless Steel
  - Indicator Cap : Polycarbonate
  - Lead Wire : AWG-no.24
  - Lead Wire Packing : Viton

Plug Connector With Clip

**Ordering Code**  
PG2-06 ( L : 600mm)  
PG2-10 ( L : 1,000mm)

Blanking Plate (Material : STS304)

**Ordering Code**  
YMF20 - BLK

\* The specification on each item can be amended without any prenotice to improve a performance.  
\* The specification on each item can be different from actual specification.

## ORDERING NO.

**YSV2 0 - D P - SC - CN1 - D4**

Valve Series	Function		Pilot Source		Manual Operator		Solenoid Coil Type		Connector Type		Voltage	
	0	3/2 Normally Closed Spring Return	D	Direct Operated	P	Push Non-Locking	0	None	CN1	Normal Connector	0	None
YSV2 : Solenoid Valve							SC	3 Pin Connector Coil	CD1	Connector With LED	A2	AC 220V
							SG	Grommet /Flying Leads	CZ1	Connector With LED & Surge Suppressor	A1	AC 110V
							SD	Grommet /Flying Leads With LED			D4	DC 24V
							SL	90 Degree Plug-in Wire Assembly with LED			D2	DC 12V
							SM	180 Degree Plug-in Wire Assembly with LED				