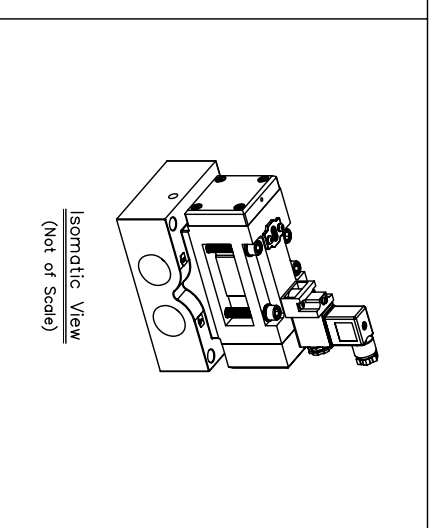


	A	B	C
SIB64	G3/4	42.5	84.0
SIB65	G1	50.0	90.0



### SPECIFICATION

ITEM	SERIES	FUNCTION
Fluids	SOLENOID, PNEUMATIC	5 Port 2 Position / 5 Port 3 Position
Pressure (bar)		Compressed Air & Inert Gases
Eff. Section Area(m <sup>2</sup> ) - 5bar		1.5 ~ 10.0 / 2.0 ~ 10.0
Ambient & Fluid Temp.		-5 ~ 60° C(41 ~ 140° F)
Response Time (5bar)		30ms or Less / 40ms or Less
Max. Working Frequency		3c/sec / 1c/sec
Lubrication		Not Required(Use ISO VG32#)
Manual Override		Push Button(Standard), Lever Lock(Optional)
Coil Insulation Class		F-Class of Equivalent
Permissible Voltage Variator		±10% or Rated Voltage
Off Min. Residual Voltage		AC:20% or Less / DC:10% or Less
Power Consumption		Holding=AC:5.5VA / DC:2.5W

UNINDICATED SHARP POSITION		±30°	1000 to 2000	0.50	MATL	AIDC	DATE	10.02.11	VIEW	SCALE	1 / 5
△		DEGREE	315 to 1000	0.30	NAME	SIV611-IP-SC2-CN2				DWGNO	
△		TOLERANCE	120 to 315	0.20	(SIB65-SP)						A3
△			30 to 120	0.15	DRAWING		DESIGN		APPROVAL		
△			6 to 30	0.10							
△			3 to 6	0.05							
△			0.5 to 3	0.03							
SYMBOL	DATE	REMARKS	APPROVAL	SURFACE ROUGHNESS	DIMENSION	TOL. (±)					
DRAWING REMARKS							YONWOO PNEUMATIC CO., LTD.				