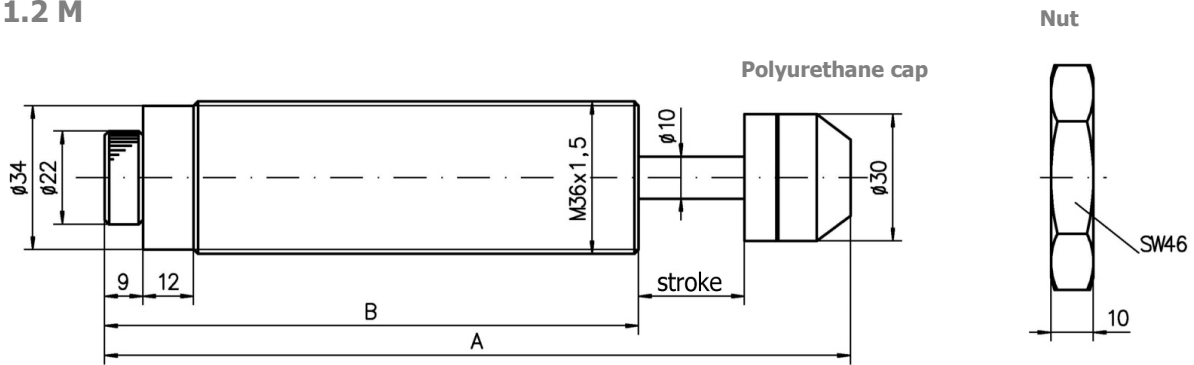




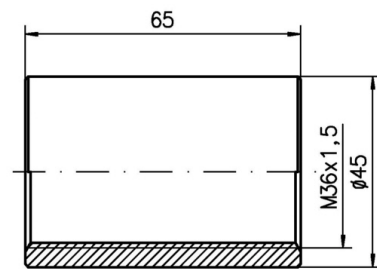
- Fully adjustable.
- Temperature range from – 10 °C to + 80 °C (higher temperature up to + 120 °C on request).
- Fitting according to your requirements.
- Polyurethane cap standard.
- Install a mechanical stop 1 mm before end of the stroke, do not bottoming under load to prevent damage.

**STD 1.2 M**

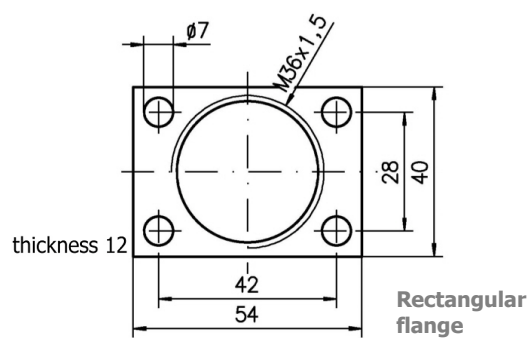


**Dimensions:**

Type	Stroke	A [mm]	B
<b>STD 1.2 M x 1</b>	25	176	126
<b>STD 1.2 M x 2</b>	50	248	172



Stop collar



Rectangular flange

**Technical data:**

Type	Stroke [mm]	Thread	Energy capacity		Effective mass [kg]	Spring force [N]	Weight [g]
			[Nm/stroke]	[kNm/h]			
<b>STD 1.2 M x 1</b>	25	M36x1,5	195	94	10 - 1250	35 - 80	650
<b>STD 1.2 M x 1 NG</b>	25	M36x1,5	195	94	350 - 51000	35 - 80	650
<b>STD 1.2 M x 2</b>	50	M36x1,5	390	188	15 - 1850	35 - 85	820
<b>STD 1.2 M x 2 NG</b>	50	M36x1,5	390	188	450 - 81000	35 - 85	820