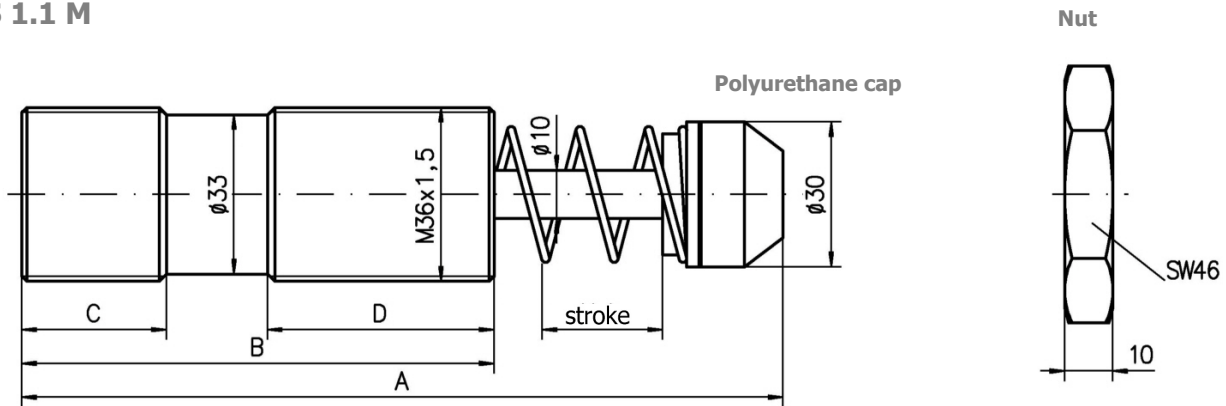


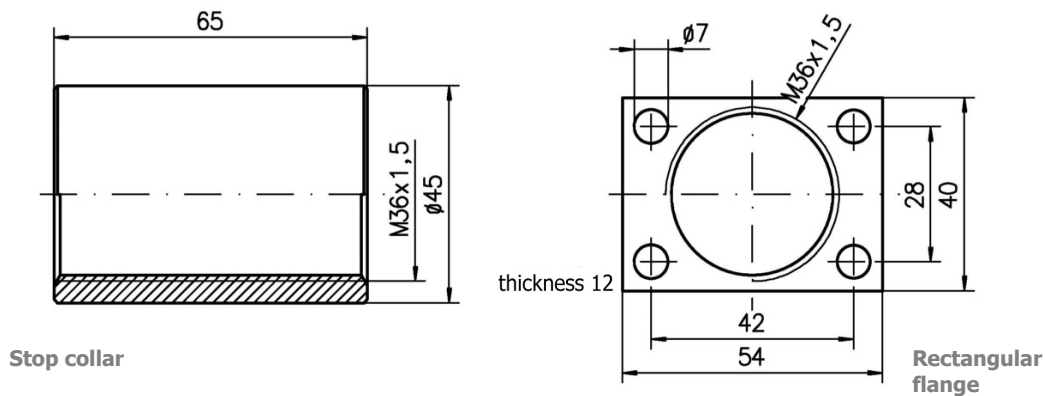
- Temperature range from – 10 °C to + 80 °C (higher temperature up to + 120 °C on request).
- Fitting according to your requirements.
- Polyurethane cap standard.
- Install a mechanical stop 1 mm before end of the stroke, do not bottoming under load to prevent damage.

SES 1.1 M



Dimensions:

Type	Stroke	A	B [mm]	C	D
SES 1.1 M x 1	25	158	98	30	47
SES 1.1 M x 2	50	195	106	30	55



Technical data:

Type	Stroke [mm]	Thread	Energy capacity		Effective mass [kg]	Spring force [N]	Weight [g]
			[Nm/stroke]	[kNm/h]			
SES 1.1 M x 1 A	25	M36x1,5	195	94	170 - 870	35 - 80	500
SES 1.1 M x 1 B	25	M36x1,5	195	94	45 - 250	35 - 80	500
SES 1.1 M x 1 AA	25	M36x1,5	195	94	540 - 2700	35 - 80	500
SES 1.1 M x 2 A	50	M36x1,5	390	188	340 - 1740	35 - 85	650
SES 1.1 M x 2 B	50	M36x1,5	390	188	90 - 500	35 - 85	650
SES 1.1 M x 2 AA	50	M36x1,5	390	188	1080 - 5400	35 - 85	650